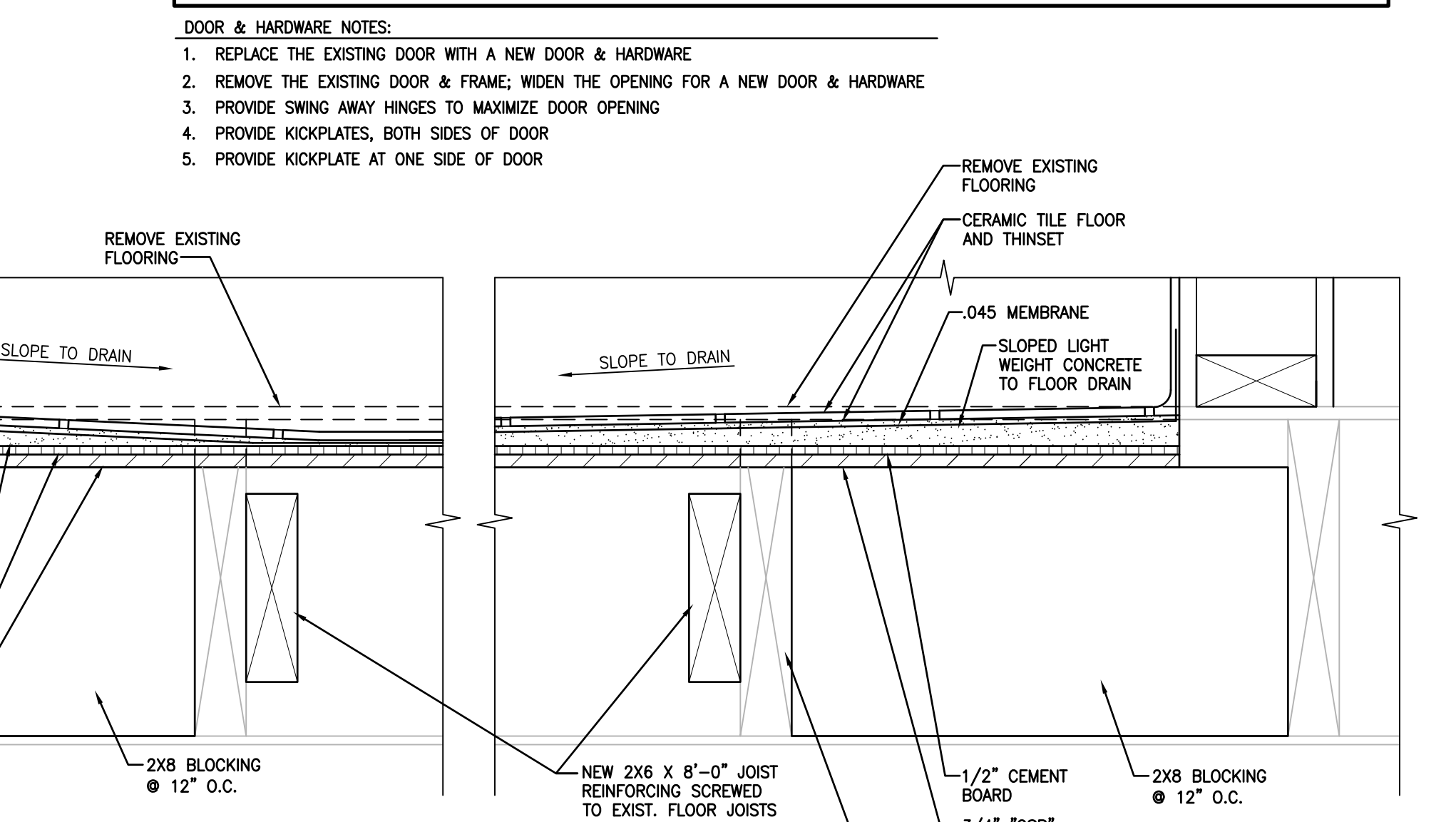
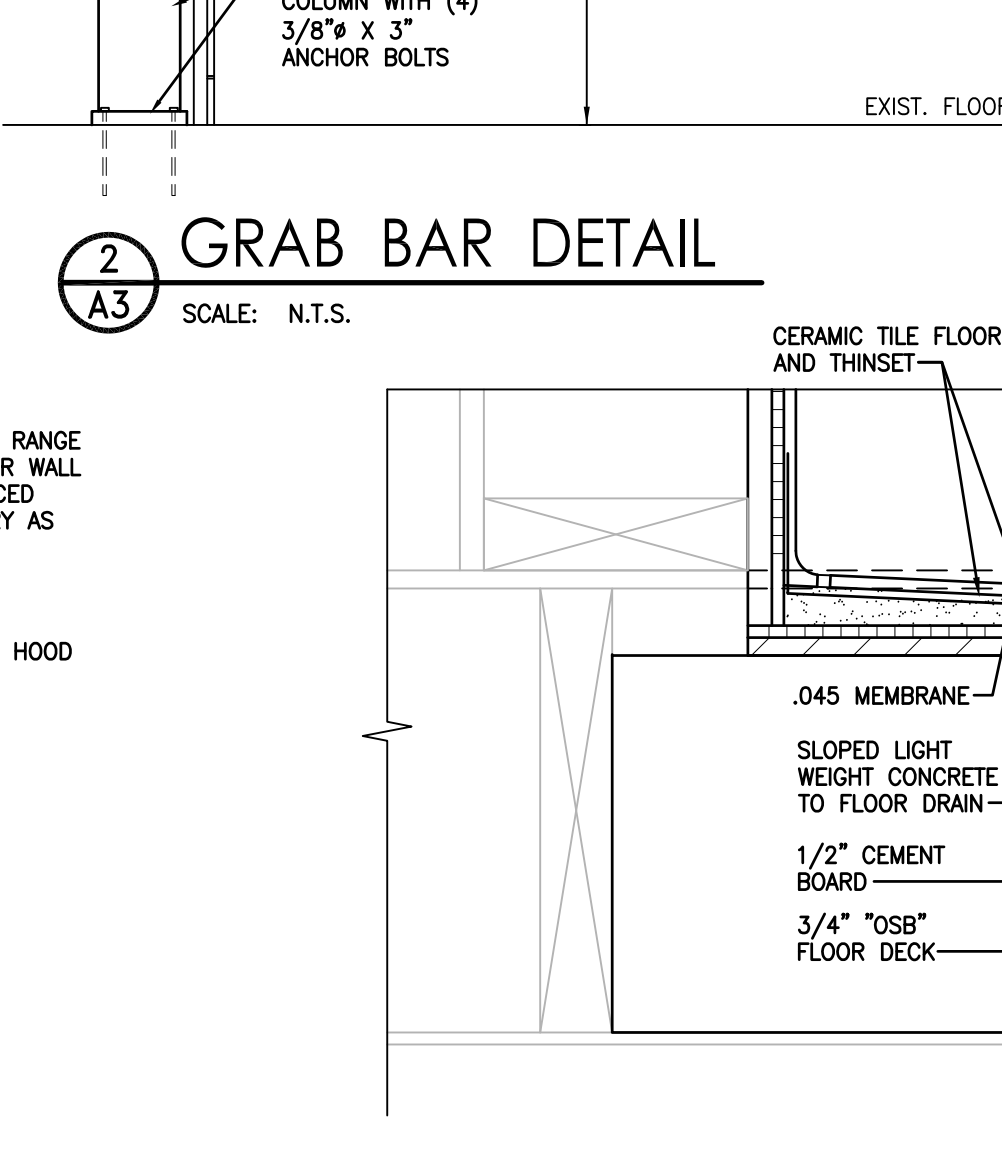
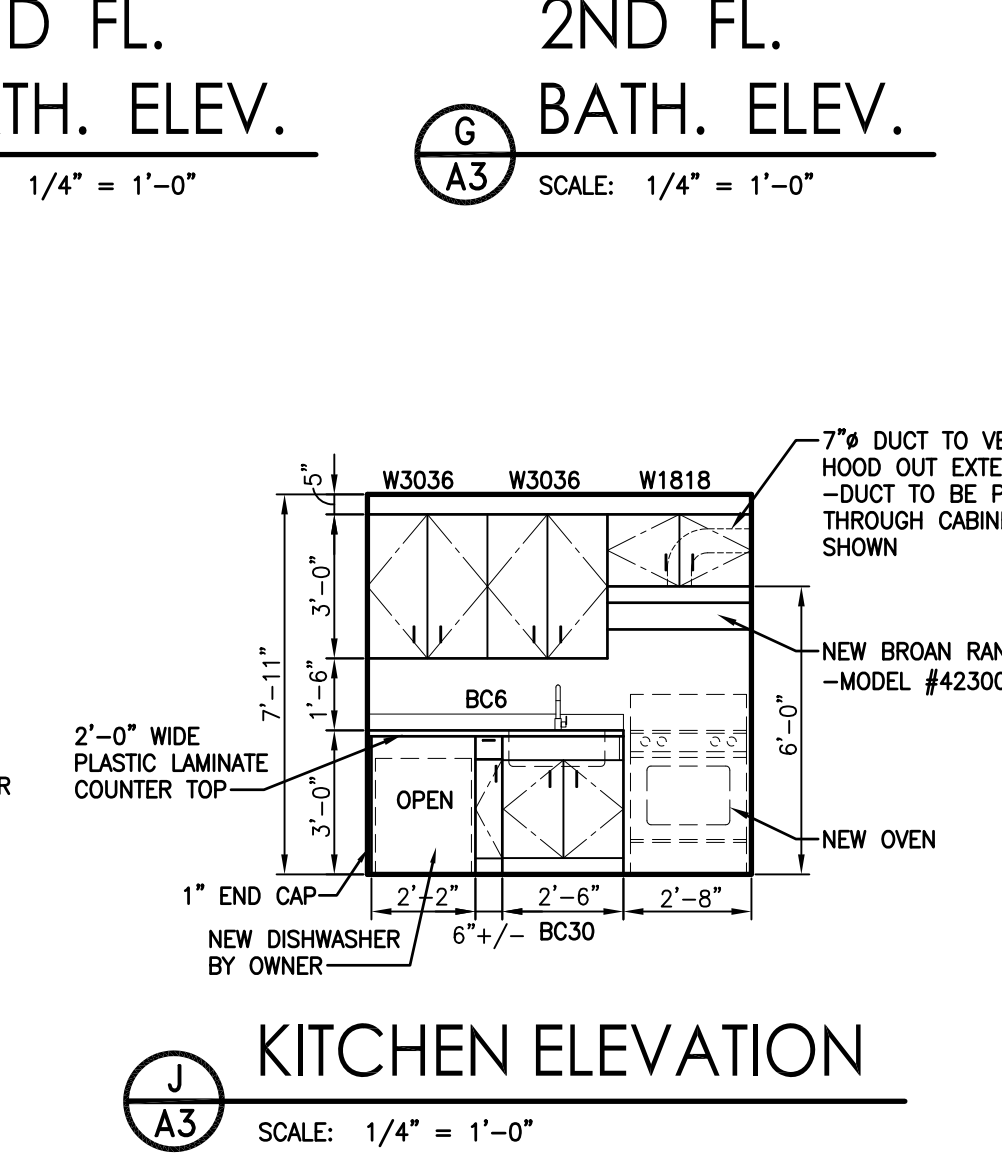
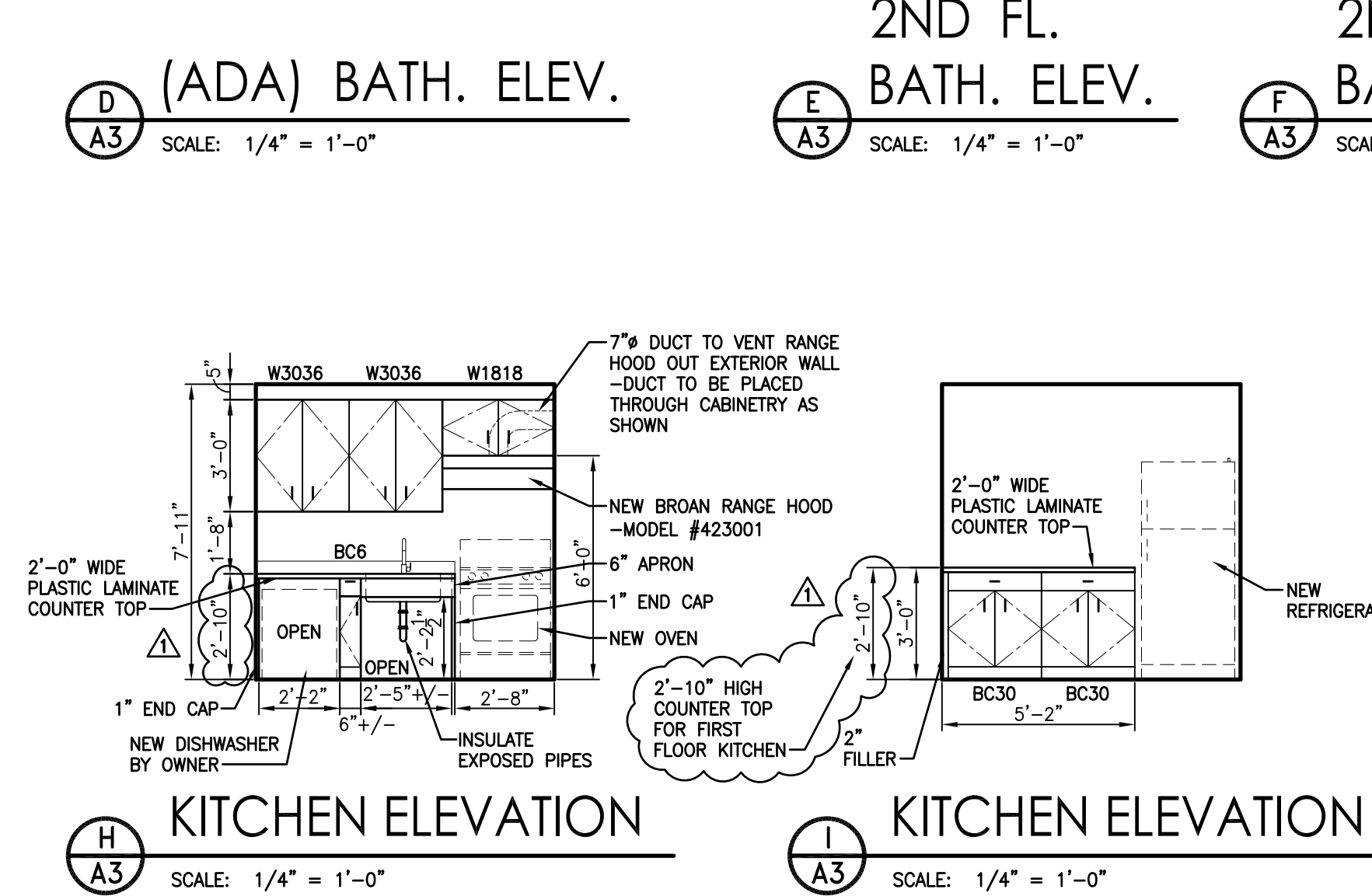
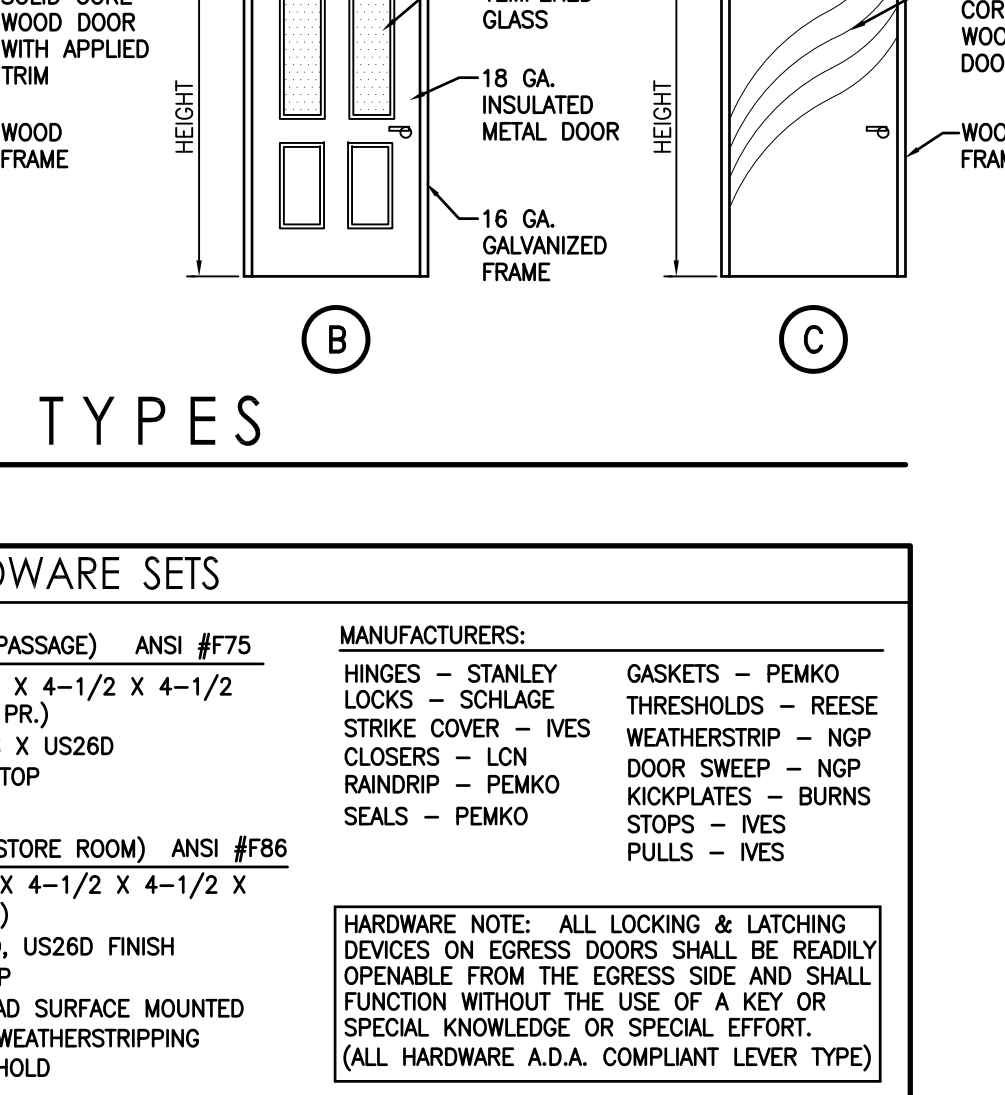
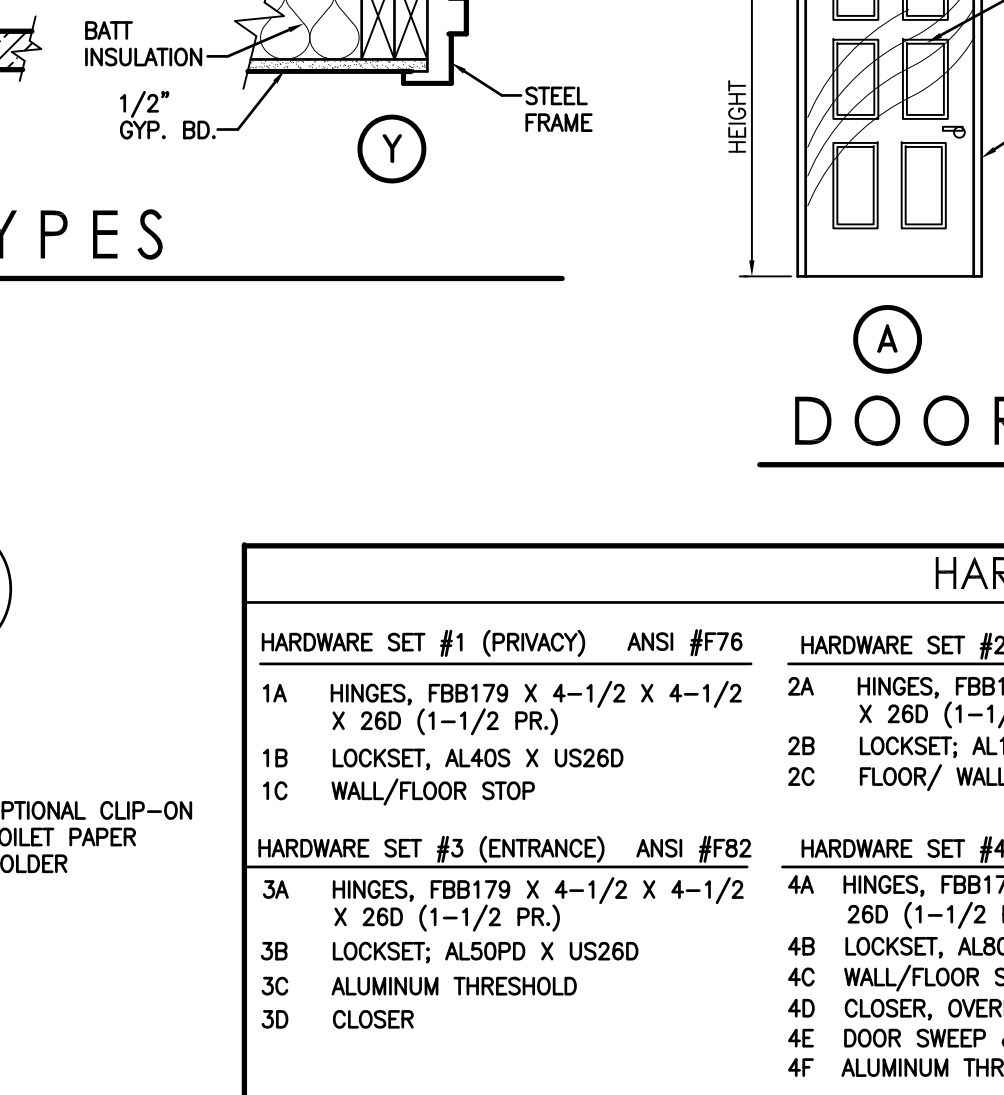
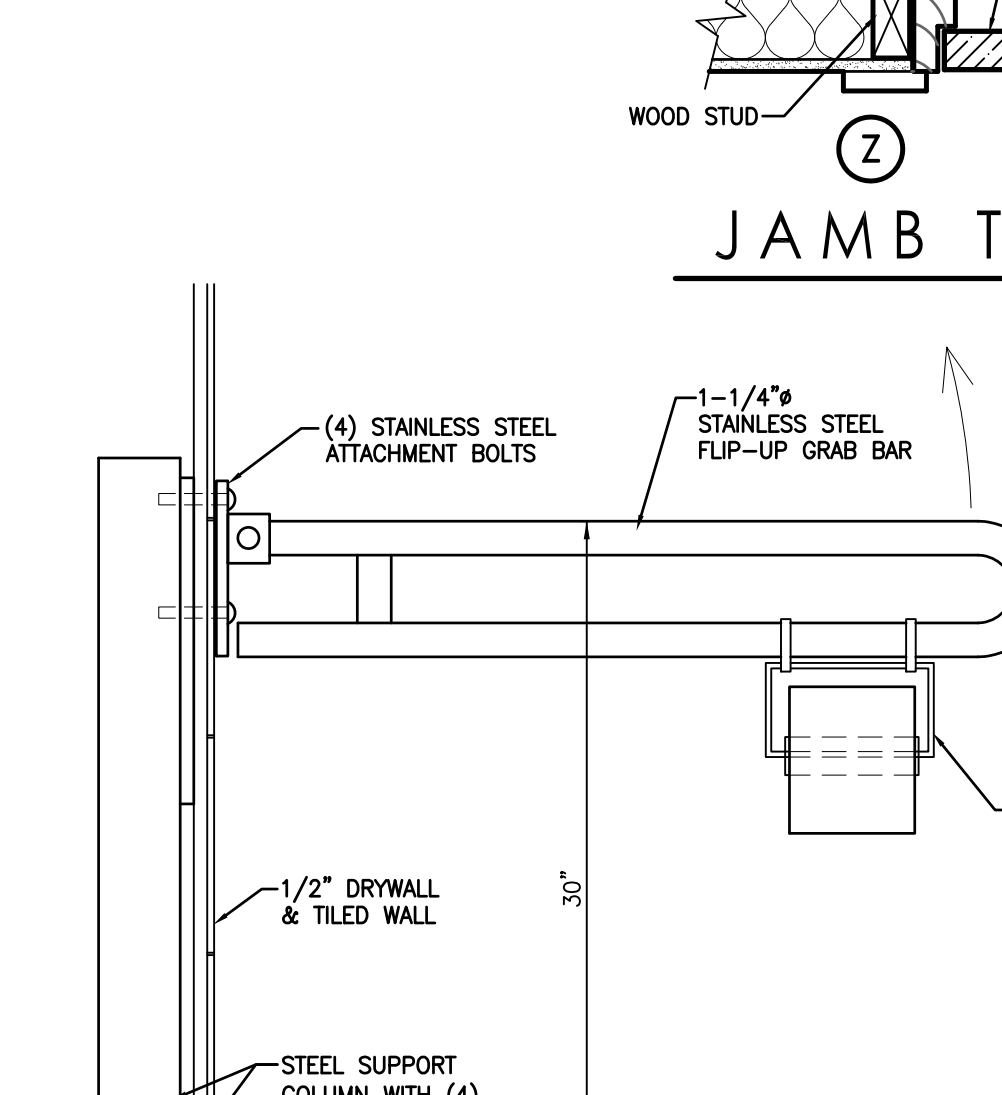
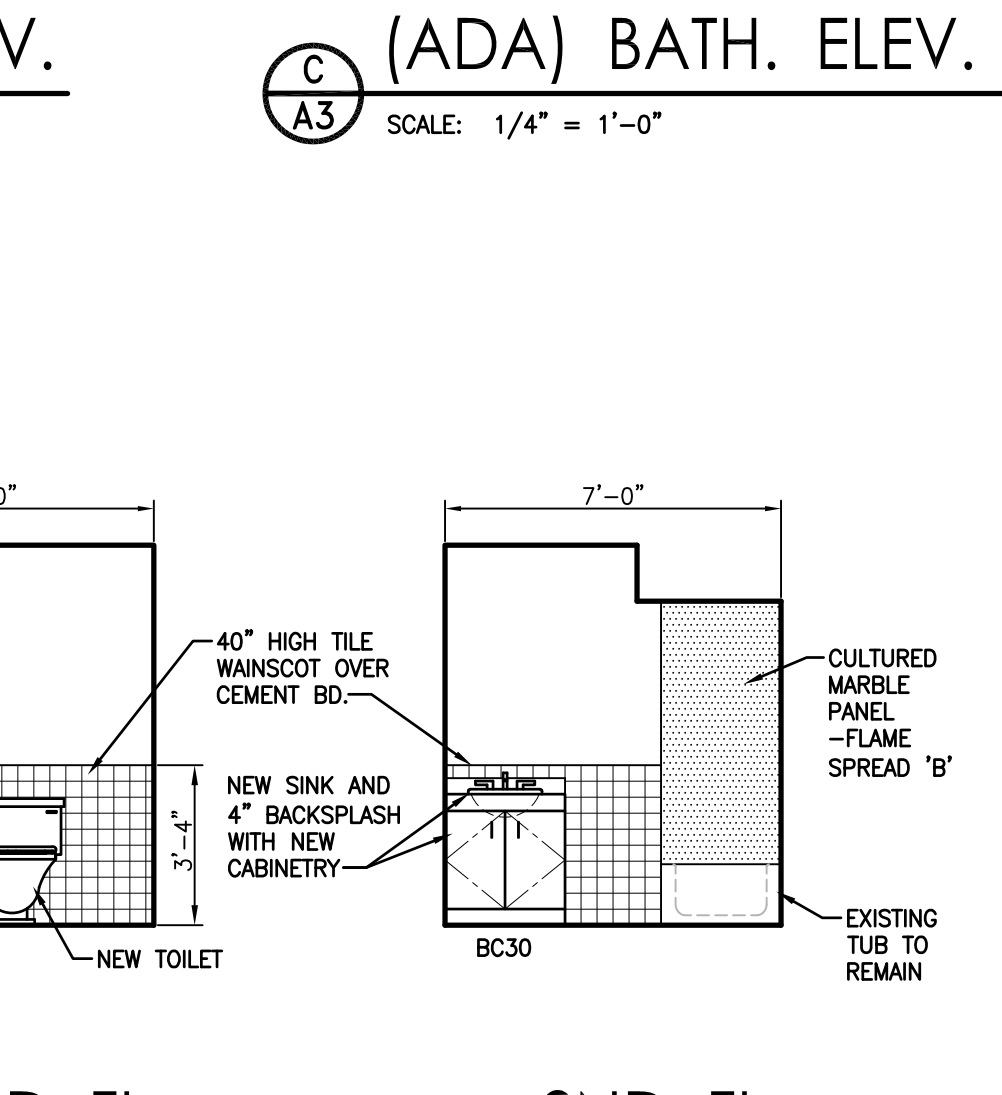
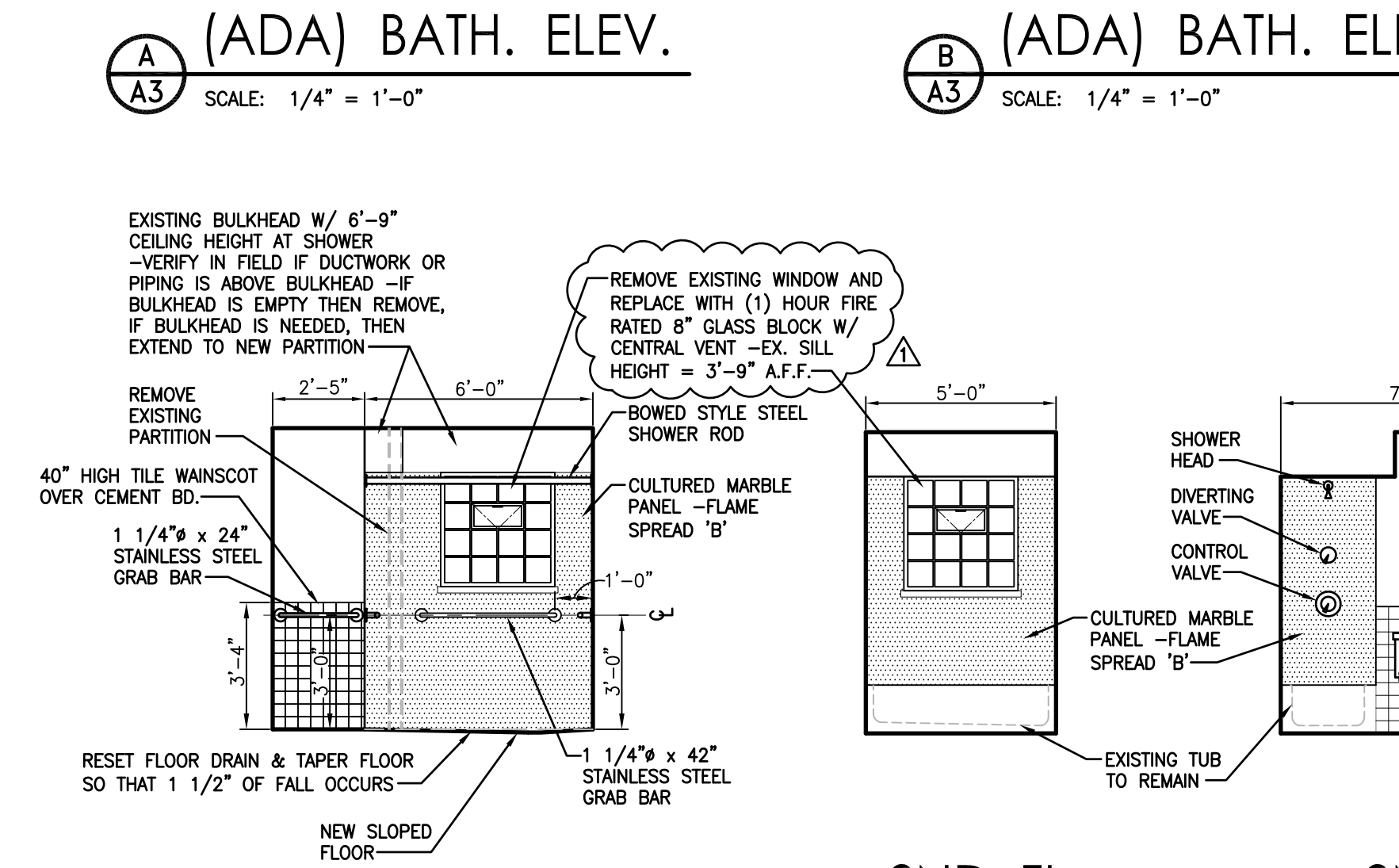
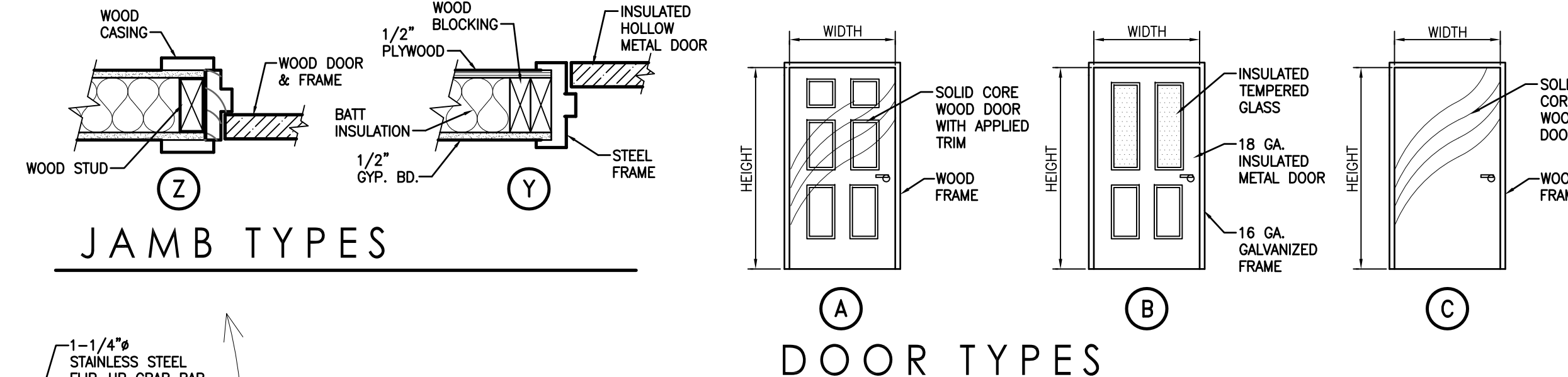
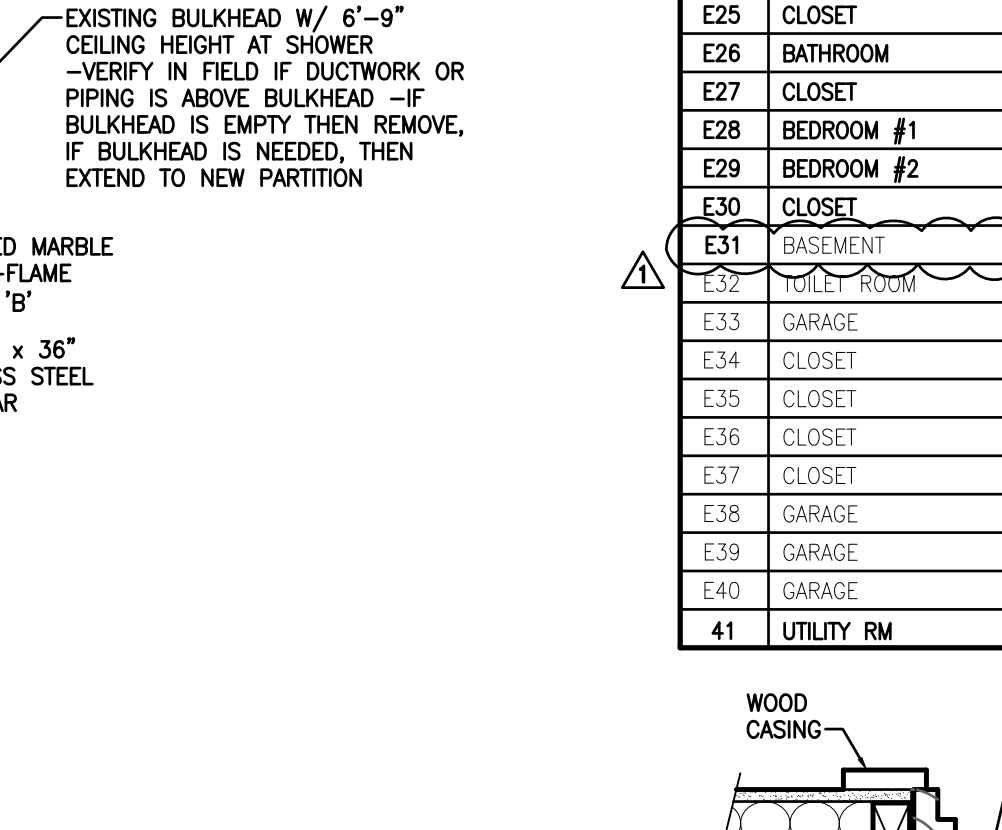
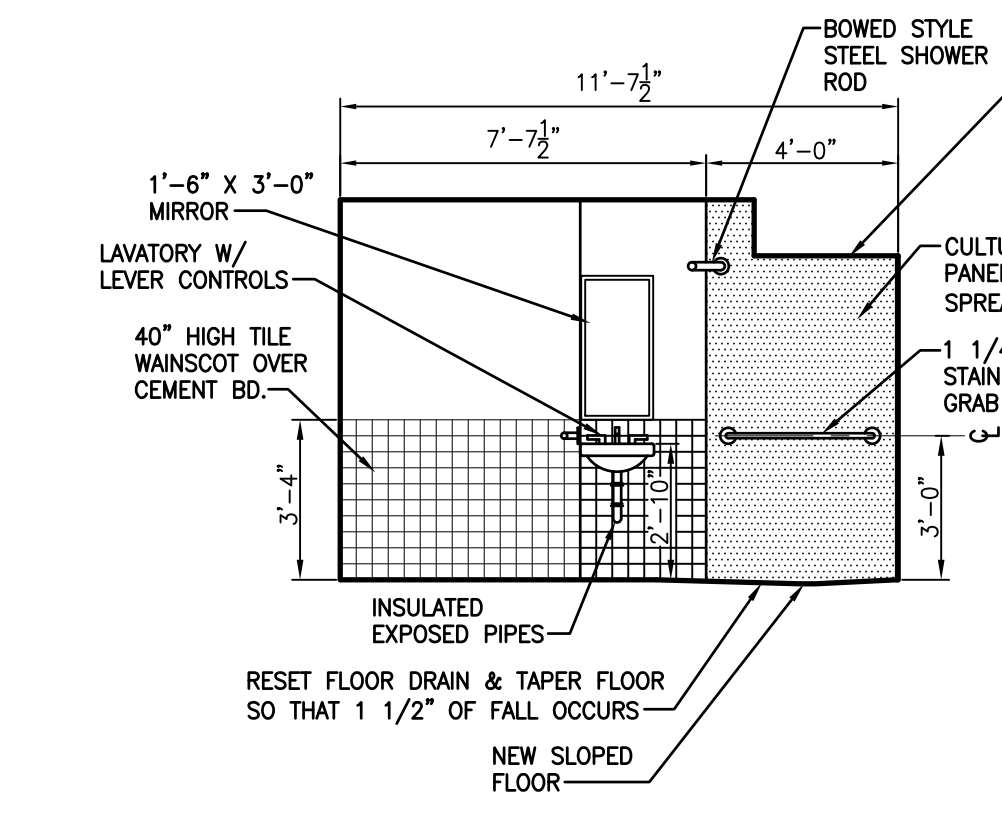
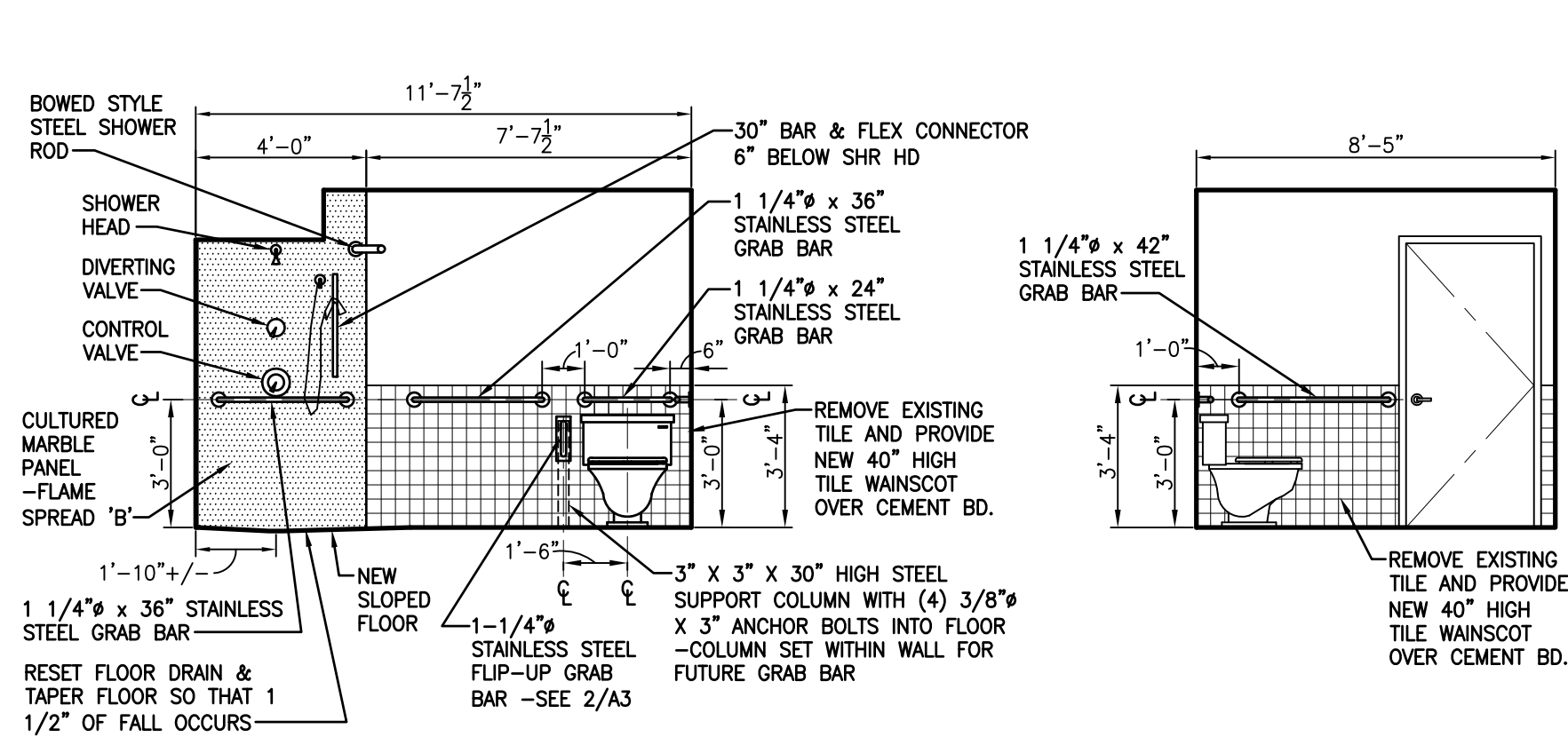


ROOM FINISH SCHEDULE										
	ROOM NAME	FLOOR		WALLS			CEILING		REMARKS	ELEVATIONS
		FLOOR	BASE	NORTH	EAST	SOUTH	WEST	TYPE		
1ST FLOOR	FOYER	11	20	30	30	30	40	7'-11"	2,3	
	LIVING ROOM	10	20	30	30	30	40	7'-11"	2,3	
	HALLWAY	10	20	30	30	30	40	7'-11"	2,3,4	
	KITCHEN	13	20	30	30	30	40	7'-11"		
	BATHROOM	12	21	31,33	31,32,33	31,32,33	41	7'-11"	1	50,51,52,53,54
2ND FLOOR	LIVING ROOM	10	20	30	30	30	40	7'-11"	2,3	
	HALLWAY	-	-	30	30	30	40	7'-11"		
	KITCHEN	13	20	30	30	30	40	7'-11"		
	BATHROOM	12	21	31,33	31,32,33	31,32,33	41	7'-11"		
	BEDROOM #1	-	-	30	30	30	40	7'-11"		

- FINISH REMARKS**
- PROVIDE WOOD BLOCKING AS FOLLOWS:
 PROVIDE 1" x 3" LONG MIN. HORIZ. BLOCKING FOR HANDRAILS ANCHORAGE AT 36" TO CENTERLINE AT LOCATIONS SHOWN.
 INCLUDE BLOCKING FOR MIRRORS AT 40" & 84" A.F.F. TO CENTERLINE.
 INCLUDE BLOCKING FOR LAVATORIES AT 12" & 30" A.F.F. TO CENTERLINE.
 - REMOVE EXISTING WALL PAPER AT TOP OF EXISTING WALLS
 - AT THE REMOVED PARTITION LOCATIONS, REPATCH WOOD FLOORING WITH WOOD FLOORING TO MATCH EXISTING
 - EXISTING WOOD WAINSCOTING TO REMAIN

ROOM FINISH SCHEDULE KEY		
FLOOR	WALLS	MISC./EQUIPMENT *
10 SAND & REFINISH EXISTING HARDWOOD FLOORS; 2 COATS WATER BASE POLYURETHANE	30 EXISTING OR NEW GYPSUM WALLBOARD PRIMED W/(2) COATS LATEX EGGSHELL PAINT	50 1 1/4" STAINLESS STEEL GRAB BARS
11 EPOXY WITH LIGHT SAND FINISH OVER NEW CONCRETE AND EXISTING TILE	31 5/8" MOISTURE RESISTANT GREEN WALL BOARD PRIMED W/(2) COATS LATEX SEMI-GLOSS PAINT	51 PROVIDE PVC PAN IN SHOWER UP 12" A.F.F. PRIOR TO TILING AND CULTURED WALL PANEL INSTALLATION
12 6"x6"x3/8" CERAMIC TILE FLOOR, OVER CEMENT BOARD AND .045 MILL MEMBRANE	32 SHOWER AREA, SEE DETAILS CULTURED MARBLE PANELS LAMINATED TO WALL WITH ALL JOINTS CAULKED (SILICONE)	52 TOILET PAPER HOLDER UNIT
13 STRIP LAMINATE FLOORING OVER 1/4" MASONITE AT \$2.50 PER S.F. FOR MATERIAL	33 INSTALL 4"x4"x 3/8" THICK CERAMIC TILE TO 40" A.F.F. TO MATCH FLOOR TILE AT \$2.50 PER S.F.	53 TILTABLE 18"x36" MIRROR
		54 PROVIDE 1-1/2" BOWED STYLE SHOWER CURTAIN ROD
20 4" HIGH WOOD BASE	40 EXISTING OR NEW GYPSUM WALLBOARD PRIMED W/(2) COATS LATEX EGGSHELL PAINT	
21 6" COVED CERAMIC TILE	41 EXISTING OR NEW GYPSUM WALLBOARD PRIMED W/(2) COATS LATEX SEMI-GLOSS PAINT	

DOOR SCHEDULE																	
MARK	ROOM NAME	DOORS IN OPNG	DOOR				FRAME				HARDWARE				LINTEL	REMARKS	
			W	H	T	TYPE	MAT.	RATING	MAT.	HD JB	Y	LABEL	CLOSER	LOCKSET			KEYSIDE
1	FOYER	1	3'-6"	6'-8"	1 3/4"	B	I.H.M.	-	STL	Y	-	YES	STOREROOM	EXTERIOR	4	NEW WD HDR	NOTE #4
2	LIVING ROOM	1	3'-6"	6'-8"	1 3/4"	A	S.C.W.	1 HR	WOOD	Z	1 HR	YES	ENTRANCE	FOYER	3	NEW WD HDR	NOTE #2, NOTE #4
E3	BASEMENT	1	3'-0"	6'-8"	1 3/4"	A	S.C.W.	1 HR	WOOD	-	1 HR	YES	PASSAGE	-	2	WOOD STUD	NOTE #1
E4	LIVING ROOM	1	3'-0"	6'-8"	1 3/4"	A	S.C.W.	1 HR	WOOD	-	1 HR	YES	ENTRANCE	FOYER	3	WOOD STUD	NOTE #1, NOTE #3, NOTE #4
E5	CLOSET	1	2'-0"	6'-8"	1 3/4"	C	S.C.W.	-	WOOD	-	-	-	PASSAGE	-	2	WOOD STUD	NOTE #1
E6	CLOSET	1	2'-0"	6'-8"	1 3/4"	C	S.C.W.	-	WOOD	-	-	-	PASSAGE	-	2	WOOD STUD	NOTE #1
7	BEDROOM	1	3'-6"	6'-8"	1 3/4"	C	S.C.W.	-	WOOD	Z	-	-	PRIVACY	HALLWAY	1	WOOD STUD	NOTE #4
E8	CLOSET	1	2'-4"	6'-8"	1 3/4"	C	S.C.W.	-	WOOD	-	-	-	PASSAGE	-	2	WOOD STUD	NOTE #1
9	BATHROOM	1	3'-6"	6'-8"	1 3/4"	C	S.C.W.	-	WOOD	Z	-	-	PRIVACY	HALLWAY	1	WOOD STUD	NOTE #4
E10	CLOSET	1	2'-0"	6'-8"	1 3/4"	C	S.C.W.	-	WOOD	-	-	-	PASSAGE	-	2	WOOD STUD	NOTE #1
E11	CLOSET	1	2'-0"	6'-8"	1 3/4"	C	S.C.W.	-	WOOD	-	-	-	PASSAGE	-	2	WOOD STUD	NOTE #1
12	BATHROOM	1	3'-6"	6'-8"	1 3/4"	C	S.C.W.	-	WOOD	Z	-	-	PRIVACY	HALLWAY	1	WOOD STUD	NOTE #4
13	BEDROOM	1	3'-6"	6'-8"	1 3/4"	C	S.C.W.	-	WOOD	Z	-	-	PRIVACY	HALLWAY	1	WOOD STUD	NOTE #4
E14	CLOSET	1	2'-4"	6'-8"	1 3/4"	C	S.C.W.	-	WOOD	-	-	-	PASSAGE	-	2	WOOD STUD	NOTE #1
E15	STAIRWELL	1	3'-0"	6'-8"	1 3/4"	A	S.C.W.	-	WOOD	-	1 HR	YES	ENTRANCE	STAIRWELL	3	WOOD STUD	NOTE #1, NOTE #5
E16	CLOSET	1	2'-0"	6'-8"	1 3/4"	C	S.C.W.	-	WOOD	-	-	-	PASSAGE	-	2	WOOD STUD	NOTE #1
E17	CLOSET	1	2'-0"	6'-8"	1 3/4"	C	S.C.W.	-	WOOD	-	-	-	PASSAGE	-	2	WOOD STUD	NOTE #1
E18	BATHROOM	1	3'-6"	6'-8"	1 3/4"	C	S.C.W.	-	WOOD	-	-	-	PRIVACY	HALLWAY	1	WOOD STUD	NOTE #1, NOTE #5
E19	CLOSET	1	2'-4"	6'-8"	1 3/4"	C	S.C.W.	-	WOOD	-	-	-	PASSAGE	-	2	WOOD STUD	NOTE #1
E20	BEDROOM #1	1	2'-8"	6'-8"	1 3/4"	C	S.C.W.	-	WOOD	-	-	-	PRIVACY	HALLWAY	1	WOOD STUD	NOTE #1, NOTE #5
E21	BEDROOM #2	1	2'-8"	6'-8"	1 3/4"	C	S.C.W.	-	WOOD	-	-	-	PRIVACY	HALLWAY	1	WOOD STUD	NOTE #1, NOTE #5
E22	CLOSET	1	2'-4"	6'-8"	1 3/4"	C	S.C.W.	-	WOOD	-	-	-	PASSAGE	-	2	WOOD STUD	NOTE #1
E23	STAIRWELL	1	3'-0"	6'-8"	1 3/4"	A	S.C.W.	-	WOOD	-	1 HR	YES	ENTRANCE	STAIRWELL	3	WOOD STUD	NOTE #1, NOTE #5
E24	CLOSET	1	2'-0"	6'-8"	1 3/4"	C	S.C.W.	-	WOOD	-	-	-	PASSAGE	-	2	WOOD STUD	NOTE #1
E25	CLOSET	1	2'-0"	6'-8"	1 3/4"	C	S.C.W.	-	WOOD	-	-	-	PASSAGE	-	2	WOOD STUD	NOTE #1
E26	BATHROOM	1	3'-6"	6'-8"	1 3/4"	C	S.C.W.	-	WOOD	-	-	-	PRIVACY	HALLWAY	1	WOOD STUD	NOTE #1, NOTE #5
E27	CLOSET	1	2'-4"	6'-8"	1 3/4"	C	S.C.W.	-	WOOD	-	-	-	PASSAGE	-	2	WOOD STUD	NOTE #1
E28	BEDROOM #1	1	2'-8"	6'-8"	1 3/4"	C	S.C.W.	-	WOOD	-	-	-	PRIVACY	HALLWAY	1	WOOD STUD	NOTE #1, NOTE #5
E29	BEDROOM #2	1	2'-8"	6'-8"	1 3/4"	C	S.C.W.	-	WOOD	-	-	-	PRIVACY	HALLWAY	1	WOOD STUD	NOTE #1, NOTE #5
E30	CLOSET	1	2'-4"	6'-8"	1 3/4"	C	S.C.W.	-	WOOD	-	-	-	PASSAGE	-	2	WOOD STUD	NOTE #1
E31	BASEMENT	1	3'-0"	6'-8"	1 3/4"	A	S.C.W.	-	WOOD	Z	1 HR	-	PASSAGE	-	2	WOOD STUD	NOTE #1
E32	TOILET ROOM	1	2'-4"	6'-8"	1 3/4"	A	S.C.W.	-	WOOD	Z	-	-	PASSAGE	-	2	WOOD STUD	EXISTING
E33	GARAGE	1	2'-8"	6'-8"	1 3/4"	A	S.C.W.	-	WOOD	Z	-	-	PASSAGE	-	2	WOOD STUD	EXISTING
E34	CLOSET	1	2'-0"	6'-8"	1 3/4"	A	S.C.W.	-	WOOD	Z	-	-	PASSAGE	-	2	WOOD STUD	EXISTING
E35	CLOSET	1	2'-0"	6'-8"	1 3/4"	A	S.C.W.	-	WOOD	Z	-	-	PASSAGE	-	2	WOOD STUD	EXISTING
E36	CLOSET	1	2'-0"	6'-8"	1 3/4"	A	S.C.W.	-	WOOD	Z	-	-	PASSAGE	-	2	WOOD STUD	EXISTING
E37	CLOSET	1	2'-0"	6'-8"	1 3/4"	A	S.C.W.	-	WOOD	Z	-	-	PASSAGE	-	2	WOOD STUD	EXISTING
E38	GARAGE	1	2'-8"	6'-8"	1 3/4"	A	S.C.W.	-	WOOD	Z	-	-	PASSAGE	-	2	WOOD STUD	EXISTING
E39	GARAGE	1	15'-0"	8'-0"	1 5/8"	-	IPNL	-	STL	-	-	-	-	-	-	STEEL LINTEL	EXISTING
E40	GARAGE	1	15'-0"	8'-0"	1 5/8"	-	IPNL	-	STL	-	-	-	-	-	-	STEEL LINTEL	EXISTING
41	UTILITY RM	1	3'-0"	6'-8"	1 3/4"	A	S.C.W.	1 HR	WOOD	Z	1 HR	YES	PASSAGE	-	2	WOOD STUD	



pda
professional design associates
architecture • engineering • planning
3627 west fork road
cincinnati, oh 45247
p. 513-661-2565
f. 513-661-0420
www.pda-ae.com

project
FOUR FAMILY ALTERATION
6118 PLAINFIELD ROAD
CINCINNATI, OH 45213

client
ENVISION
3030 WEST FORK ROAD
CINCINNATI, OH 45211

seal
STATE OF OHIO
JAMES THOMAS RITTER
REGISTERED ARCHITECT
5932
JAMES T. RITTER, LICENSE # 5932
EXPIRATION DATE: 12/31/2017

revisions
BUILDING DEPT. RESPONSE
28 FEBRUARY 2017

drawn / approved
HMH & JTR / J.T.R.

date
24 FEBRUARY 2017

file
17-115
sheet

A-3
of 3